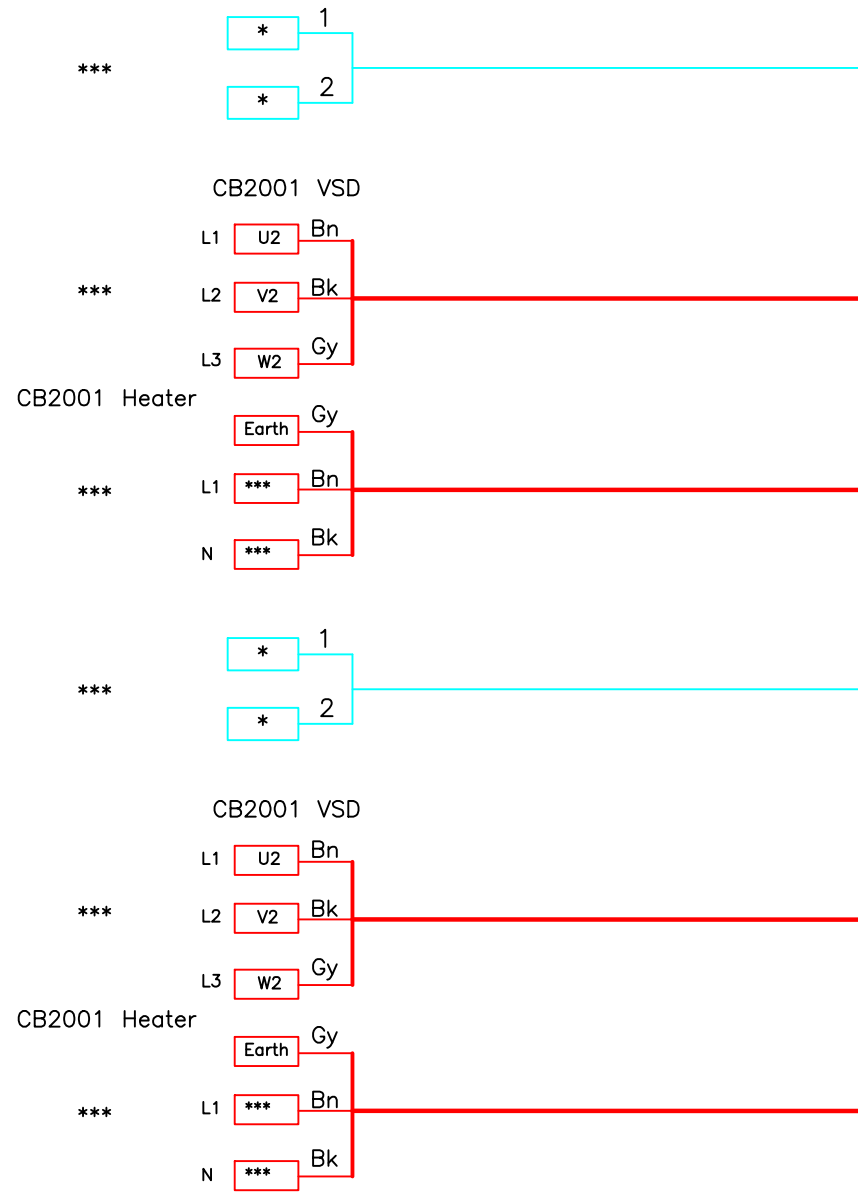


S&A MCC2000 PANEL

S&A TRANSFER TOWER



CB2001A-C1
3c x 2.5mm XLPESWA-Cu

CB2001A-P1
4c x 95mm XLPESWA-Cu

CB2001A-HTR
3c x 4mm XLPESWA-Cu

CB2001B-C1
3c x 2.5mm XLPESWA-Cu

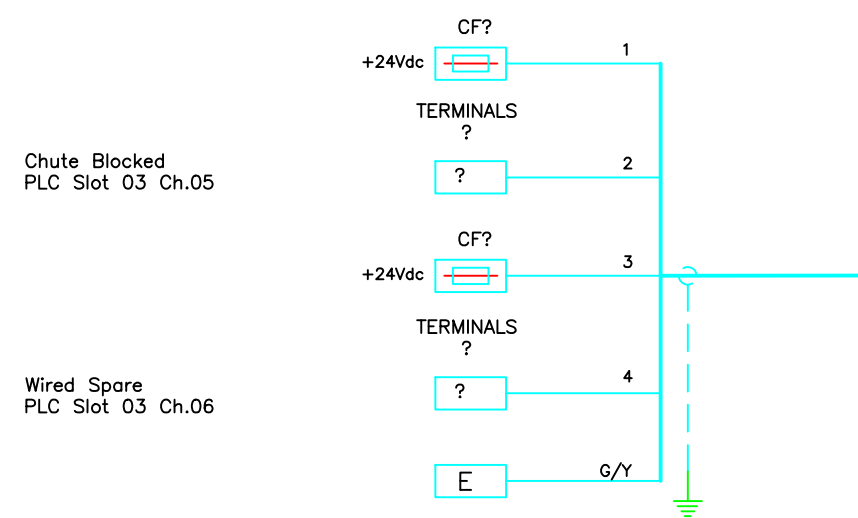
CB2001B-P1
4c x 95mm XLPESWA-Cu

CB2001B-HTR
3c x 2.5mm XLPESWA-Cu

160kW
MOTOR
CB2001
M1

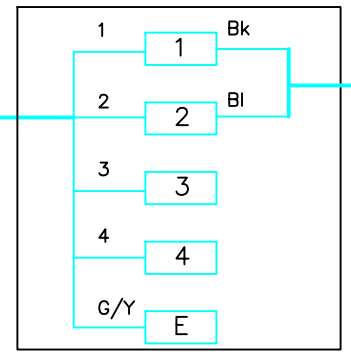
160kW
MOTOR
CB2001
M2

S&A MCC2000 PLC SECTION



CB2001-BC
5c X 0.75mm CY

JUNCTION BOX



BLOCKAGE SENSOR

FLYING LEAD
PRE-WIRED

